

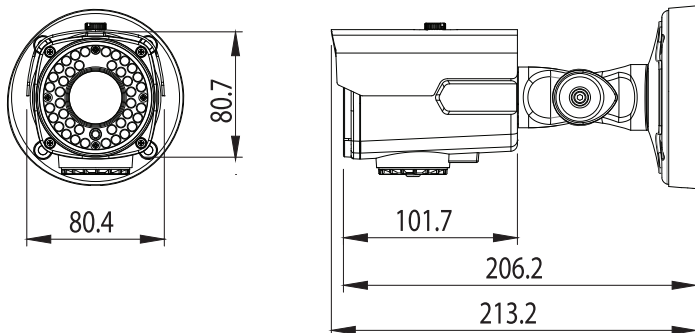
## VARIFOCAL LENS IR BULLET CAMERA

### SALIENT FEATURES

- >> High Definition Video & Picture Quality
- >> 2.1 Megapixel resolution
- >> Smart IR LED's at 850 nm Wavelength
- >> IR distance 35m approximately at 0 Lux
- >> 2.8 ~ 12mm varifocal megapixel lens
- >> Digital Noise Reduction for better Signal to Noise Ratio
- >> Back Light Compensation to remove image shadows
- >> Motion Detection unto 4 Zones selectable
- >> Privacy Detection unto 4 Zones selectable
- >> Coaxitron Protocol Support hence no need of extra cabling



### DRAWINGS



FCC Part 15 subpart B, Class A Digital Devices

RoHS ( Restriction of Hazardous Substances) complies with directive 2002/95/EC

© CAMETRON 2016 | \*Data subject to change without notice

en, V1, AHD CAMERA series 31. 03 2016

### CT 6907HBIV

VIDEO	Image Sensor	1/ 2.9" SONY CMOS Sensor
	Effective Pixel	1984 (H) × 1105 (V)
INFRA RED	Scanning System	Progressive Scan
	Sync. Type Internal	Internal
	Resolution	1080p ( 1920×1080 )
	S/N	> 50dB (AGC OFF)
	Video Output AHD	1080P @ 30 (NTSC) /25 PAL (fps)
	Min. Illumination	Color 1.0 Lux Black & White : 0.5Lux
LENS	IR LED	40* units
	IR Range	35 Meters
	IR Wavelength	850 nm
OPERATIONAL	Focal Length	f = 2.8 (Wide) x 12.0 (Tele) mm
	Angle of view	92° (Wide), 29° (Tele)
	Type	DC Auto IRIS (3.0 Megapixel)
	Mount	On Board
ENVIRONMENT	On Screen Display	Yes
	Camera Title	On / Off ( editable)
	Day & Night	ICR (AUTO, COLOR, B/W)
	BLC	BLC / HLC / D-WDR / HSBLC / OFF
	D WDR	Digital WDR (30fps/25fps)
	DNR	(3D/2D) HIGH / MIDDLE / LOW / OFF
	Defog	Auto / Off
	Motion Detection	On / Off (4 Zone Selectable)
	Privacy Masking	On / Off (4 Zone Selectable)
	Sense-up	Auto (Selectable limit 2 x~30 x)/Off
	White Balance	ATW / AWC / INDOOR / OUTDOOR / MANUAL / AWB
	Blemish Compensation	Live DPC / White DPC / Black DPC
	Electronic Shutter Speed	Auto / Manual (1/30(1/25)~1/60000, x2 ~ x30)
Mirror	Mirror H / V / H&V / OFF	
FUNCTION	Construction	Aluminum
	Ingress Protection	IP 68
ELECTRICAL	Protocol	Coaxitron
CERTIFICATION	Supply Voltage	DC 12V ± 10% / AC 24 ± 10% Dual Voltage
	Power consumption	Max 650mA, 12V DC, LED (on)
DIMENSION(WHD)	80.4x80.7x213.2mm	HUMIDITY 0%~90% WEIGHT App900g

Manufactured in an ISO 9001: 2008 certified quality manufacturing plant. The product is warranted against any manufacturing defect. Regarding the warranty support, please contact authorised distributor for terms & conditions