

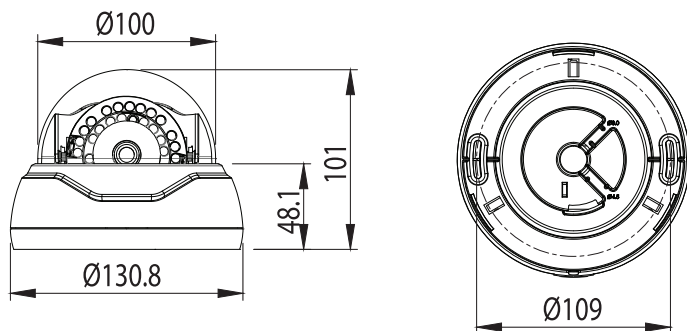
FIXED LENS IR DOME CAMERA

SALIENT FEATURES

- >> High Definition Video & Picture Quality
- >> 2.1 Megapixel resolution
- >> Smart IR LED's at 850 nm Wavelength
- >> IR distance 25m approximately at 0 Lux
- >> 3.6mm on-board Megapixel lens, 2.8mm/6mm (optional)
- >> Digital Noise Reduction for better Signal to Noise Ratio
- >> Back Light Compensation to remove image shadows
- >> Motion Detection unto 4 Zones selectable
- >> Privacy Detection unto 4 Zones selectable
- >> Coaxitron Protocol Support hence no need of extra cabling



DRAWINGS



FCC Part 15 subpart B, Class A Digital Devices

RoHS (Restriction of Hazardous Substances) complies with directive 2002/95/EC

© CAMETRON 2016 | *Data subject to change without notice

en, V1, AHD CAMERA series 31. 03 2016

CT 6902PDIF

VIDEO	Image Sensor	1/ 2.9" SONY CMOS Sensor
	Effective Pixel	1984 (H) × 1105 (V)
INFRA RED	Scanning System	Progressive Scan
	IR LED	24* units
LENS	IR Range	25 Meters
	IR Wavelength	850 nm
OPERATIONAL	Sync. Type Internal	Internal
	Focal Length	f = 3.6mm (Default), 6mm option
ENVIRONMENT	Angle of view	80°
	Type	Fixed focal lens (3.0 Megapixel)
FUNCTION	Mount	Board
	On Screen Display	Yes
ELECTRICAL	Camera Title	ON / OFF (Editable)
	Day & Night	ICR (AUTO, COLOR, B/W)
CERTIFICATION	BLC	BLC / HLC / D-WDR / HSBLC / OFF
	D WDR	Digital WDR (30fps/25fps)
DIMENSION	DNR	(3D/2D) HIGH / MIDDLE / LOW / OFF
	Supply Voltage	DC 12V ± 10%
TEMPERATURE (operation)	Defog	Auto / Off
	Power consumption	Max 600mA, 12V DC, LED (on)
HUMIDITY	Motion Detection	On / Off (4 Zone Selectable)
	Mirror	Mirror H / V / H&V / OFF
WEIGHT	Privacy Masking	On / Off (4 Zone Selectable)
	Construction	Plastic
WARRANTY	Sense-up	Auto (Selectable limit 2 x~30 x)/Off
	Ingress Protection	-
PROTOCOL	White Balance	ATW / AWC / INDOOR / OUTDOOR / MANUAL / AWB
	Protocol	Coaxitron
TEMPERATURE (operation)	Blemish Compensation	Live DPC / White DPC / Black DPC
	Electronic Shutter Speed	Auto / Manual (1/30(1/25)~1/60000, x2 ~ x30)
HUMIDITY	Mirror	Mirror H / V / H&V / OFF
	Humidity	0%~90%
WEIGHT	Weight	App 500g
	Weight	App 500g

Manufactured in an ISO 9001: 2008 certified quality manufacturing plant. The product is warranted against any manufacturing defect. Regarding the warranty support, please contact authorised distributor for terms & conditions