

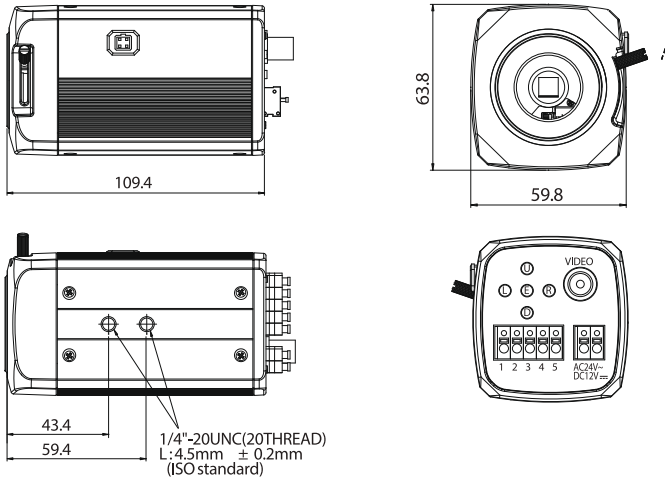
STANDARD BOX CAMERA

SALIENT FEATURES

- >> High Definition Video & Picture Quality
- >> 2.1 Megapixel resolution
- >> Digital Noise Reduction for better Signal to Noise Ratio
- >> Back Light Compensation to remove image shadows
- >> Motion Detection unto 4 Zones selectable
- >> Privacy Detection unto 4 Zones selectable
- >> Coaxitron Protocol Support hence no need of extra cabling



DRAWINGS



ACCESSORIES



HOUSINGS

CT 690DN	General IP 68 rated
CT 690DB	IP 68 rated with blower
CT 690DH	IP 68 rated with heater
CT 690DHB	IP 68 rated with heater & blower
CT 690DHBW	IP 68 rated with heater, blower & wiper



LENSES

CT 69282FL	2.8 mm fixed 2MP
CT 69363FL	3.6 mm fixed 3MP
CT 69222VF	2.8 ~ 12mm Varifocal lens 2MP
CT 69602VF	6~60 mm Varifocal lens 2MP
CT 69223VF	2.8 ~ 12mm Varifocal lens 3MP
CT 69603VF	6 ~ 60mm Varifocal lens 3MP

CT 6901SBNW

VIDEO

Image Sensor	1/3" SONY 1.3 MP CMOS sensor
Effective Pixel	1305 (H) × 1049 (V)
Scanning System	Progressive Scan
Sync. Type Internal	Internal
Resolution	720p (1280 x 720) 30/20fps
S/N	> 50dB (AGC OFF)
Video Output Level	AHD, 1.0Vp-p, 75 Ohm PAL/NTSC
Min. Illumination	Color 1.0 Lux F/1.2, 0.0005 lux sense up B/W 0.05Lux F/1.2, 0.0002lux (sense-up)

LENS

Mount	CS
-------	----

OPERATIONAL

On Screen Display	Yes
Camera Title	ON / OFF (Editable)
Day & Night	ICR (AUTO, COLOR, B/W)
BLC	BLC / HLC / D-WDR / HSBLC / OFF
D WDR	Digital WDR (30fps/25fps)
DNR	(3D/2D) HIGH / MIDDLE / LOW / OFF
Defog	Auto / Off
Motion Detection	On / Off (4 Zone Selectable)
Privacy Masking	On / Off (4 Zone Selectable)
Sense-up	Auto (Selectable limit 2 x~30 x)/Off
White Balance	ATW / AWC / INDOOR / OUTDOOR / MANUAL / AWB
Blemish Compensation	Live DPC / White DPC / Black DPC
Electronic Shutter Speed	Auto / Manual (1/30(1/25)~1/50000, x2 ~ x30)
Mirror	Off/ Mirror / V Flip/ Rotate
Gamma	0.45

COMMUNICATION

RS 485 (Pelco D), Coax (AHD DVR Only , CVBS : Pelco C)

ELECTRICAL

Regulated Power	DC 12V ± 10%
Dual Power	DC 12 VAC / 24V

CERTIFICATION

FCC, CE, RoHS	TEMPERATURE (operation)	-45°C ~ 50°C
---------------	--------------------------------	--------------

DIMENSION(mm) W x H x D

59.8 x 63.8 x 109.4	HUMIDITY	0%~90%	WEIGHT	App 300g
---------------------	-----------------	--------	---------------	----------



FCC Part 15 subpart B, Class A Digital Devices

RoHS (Restriction of Hazardous Substances) complies with directive 2002/95/EC

© CAMETRON 2016 | *Data subject to change without notice
en, V1, AHD CAMERA series 31. 03 2016

Manufactured in an ISO 9001: 2008 certified quality manufacturing plant. The product is warranted against any manufacturing defect. Regarding the warranty support, please contact authorised distributor for terms & conditions