

### SALIENT FEATURES

- >> High Definition Video & Picture Quality
- >> 2.1 Megapixel resolution
- >> Digital Noise Reduction for better Signal to Noise Ratio
- >> Based on vector drive technology for short length
- >> Micro step technology with micro control at .05°/sec
- >> Optical zoom of 20 x followed by digital zoom of 12 x
- >> Incorporated Wide Dynamic Range (WDR) function
- >> Analog High Definition AHD2.0 & CVBS video output
- >> Digital Noise Reduction (DNR) to insure crystal videos
- >> Infra Red Cut filter for true Day & Night function
- >> IP 67 Ingress Protection rating for outdoor application
- >> 360° endless rotation at speed of 500° per second
- >> Privacy masking, Scheduler function, Presets & swings
- >> Patterns & grouping, On Screen Display

### HIGH SPEED DOME



### CT 692020XSD

CAMERA		PAN / TILT	
Image Sensor	1/3" Panasonic Progressive Scan CMOS Sensor	Range	Pan : 360 °(Endless) / Tilt : 90° Preset:500°/ SEC
Total Pixels	2,000K Pixels	Pan/Tilt Speed	Manual 0.05°-360° / SEC (Zoom Proportional) Swing:10 deg-180°/ SEC
Zoom	20 x optical, 12 x digital	Preset	209 Presets (Label,Independent Camera Parameter Setting)
Focal Length	F =1.6~3.5, f=4.7 ~ 94.0 mm	Pattern	4 Patterns {768 Commands ( Approximate 5 Minutes)/ Pattern}
Signal to Noise Ratio	50 dB	Swing	10 Swings
Working Distance	10mm (Wide), 1,000mm (Tele)	Group	8 Groups ( MAX.40 Actions with the Combination of Preset,Pattern and Swing)
Angle of View	55.4°(Wide)-2.9°(Tele)	Schedule	8 Schedules
Focus Control	Auto / Manual / Semi -Auto	Other Functions	Auto flip, Auto parking, Power -up action & etc
AE Mode	Auto/ Iris/ Shutter/ Manual/ Brightness	VIDEO	
White Balance	Auto/ Manual (Red,Blue,Gain Adjustable)	Output	2 x BNC ( AHD & CVBS )
Day & Night	Auto/ Color/ Night (ICR)	AHD	AHD 2.0( 1080p 30/25, 720p 60/50/30/25)
Minimum Illumination	0.5 Lux ( Color, 50IRE )/ 0.001 Lux ( B/W, DSS )	CVBS	1Vp-p
BLC	ON / OFF	OSD	English
WDR	ON / OFF		(Menu/Time/PTZ information etc, Password protection)
Defog	ON / OFF		Yes, RTC battery backup time: around 2 weeks
Aperture	Adjustable	SENSOR / ALARM	
NR(Noise Reduction)	Yes	Sensor Input	3 Inputs , Photo - Coupler Type, DC 5V-12V
Privacy Zone	8 Masks with spherical coordinate	Alarm Output	10Output, Relay Output, MAX.Load DC 24V/1.0A or AC 125V/0.5A
SERIAL PORTS		MATERIAL	
Communication Protocol	RS-485 for PTZ Control Pelco-D, Pelco-P Selectable	Dome: Poly Carbonate / Housing : Aluminum	
ELECTRICAL		HEATER / FAN	
Dual Power : DC 12V /1.8A / AC 24V/2.0A		Internal 10 °C / 50°F (Fan on)	
MECHANICAL		CERTIFICATIONS	
Dome: Ø150 mm / Ø5.9"		FCC, CE, RoHS	
TEMPERATURE			
Operation -30°C ~ 50°C / -22°F ~ 122°F			
PHYSICAL			
Dimensions	Ceiling Mount : 200(Ø) x 408 (H) (mm)/7.87" (Ø) x 16.1" (H) Wall Mount : 300 x 309 (H)(mm) /11.8" x 12.2" (H)		
Weight	Approximate 3.6 Kg /7.9Lbs with Ceiling Mount Bracket		

FCC Part 15 subpart B, Class A Digital Devices

RoHS ( Restriction of Hazardous Substances) complies with directive 2002/95/EC

© CAMETRON 2016 | \*Data subject to change without notice  
en, V1, AHD CAMERA series 31. 03 2016

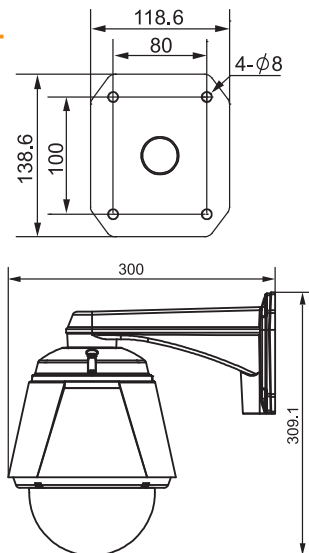
Manufactured in an ISO 9001: 2008 certified quality manufacturing plant. The product is warranted against any manufacturing defect. Regarding the warranty support, please contact authorised distributor for terms & conditions



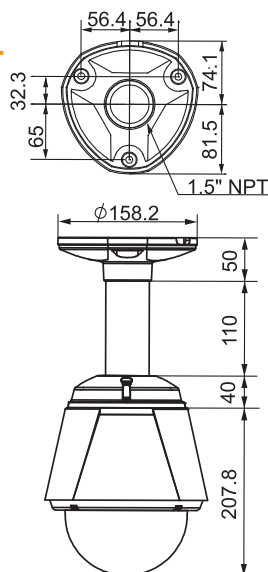
## ACCESSORIES

### DRAWINGS

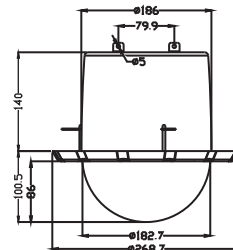
#### >> WALL MOUNT



#### >> CEILING MOUNT



#### >> EMBEDDED



### BRACKETS

CT 69SDWM	Wall mount
CT 69SDCM	Ceiling mount
CT 69SDEB	Embedded

## KEYBOARD

## CT 6969KB20

### SALIENT FEATURES

- >> 4 Axis control joystick
- >> RS 485 interface for long distance communication
- >> Standard Pelco D/Pelco P/ Camtron A Protocol
- >> Keyboard as well Joystick Operation
- >> 3 bit LED monochrome display (color option)
- >> Baud rate of 1200,2400,4800,9600



Type	4 Axis / 4D
Signal System	NTSC/PAL
Video In	1.0Vpp, 75 ohms(BNC)1ch video in
Video Out	1.0Vpp, 75 ohms(BNC)1ch video out
Interface	RS 485
Protocol	Pelco D
Baud Rate	1200,2400,4800,9600
Operation	Keyboard & Joystick
Display	3 bit LCD
Power	DC 9V ~ 12V
Temperature	-20°C~+50°C

## TESTER

## CT 6950AHD

### SALIENT FEATURES

- >> 4.3" LCD Monitor for video & data display
- >> RS 485 / 232 / PTZ protocol support
- >> Built-in PoE Tester & IP / Port identifier
- >> AHD, HD TVI, HD CVI support
- >> Micro SD Card support for Video record 32GB
- >> Baud rate of 1200,2400,4800,9600



Display (Resolution)	4.3" TFT LCD Monitor (800 x 480)
Input (Video)	BNC for Analog / HD Camera Testing AHD, HD-TVI, HD-CVI Cameras
Standard	PAL / NTSC
Power	12V DC 2 Amp cameras
POE	24 Watt Max for PoE IP Cameras
USB	5V / 2 Amp Output for special applications
Protocol	PTZ / RS 485 / RS 232
Network	RJ-45, CAT5E IP Identifier, Port Scanner for Record & Playback upto 32GB
Micro SD	Rechargeable 7.4V DC 5000mAh Lithium Polymer Battery
Power	Charging time 7 Hour Charge Time Usage Up To 16 Hours
Dimensions(mm)	215(8.5") x 127 (5") x 53 (2")



FCC Part 15 subpart B, Class A Digital Devices  
RoHS ( Restriction of Hazardous Substances) complies with directive 2002/95/EC  
© CAMETRON 2016 | \*Data subject to change without notice  
en, V1, AHD CAMERA series 31. 03 2016

Manufactured in an ISO 9001: 2008 certified quality manufacturing plant. The product is warranted against any manufacturing defect. Regarding the warranty support, please contact authorised distributor for terms & conditions